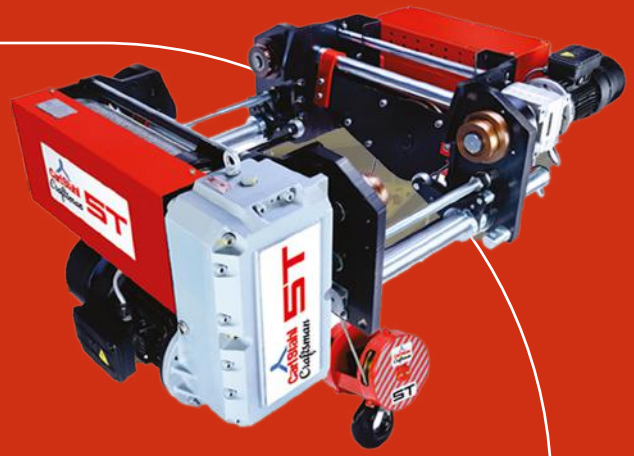


# ELECTRIC WIRE ROPE HOIST

CAPACITY RANGE  
**UPTO 120 TONS**



## FIXED HOIST



**TYPE**  
STATIONARY

**MODEL**  
CRU-F

**CAPACITY**  
0.5 - 1.6 ton

## DOUBLE GIRDER CRAB



**TYPE**  
LOW HEADROOM HOIST

**MODEL**  
CLHD-R(SERIES)

**CAPACITY**  
5 - 50 ton

## UNDERSLUNG HOIST

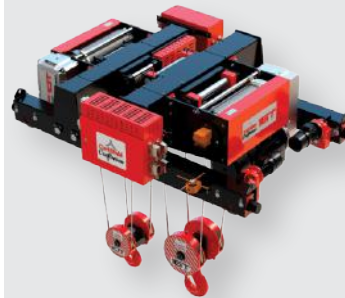


**TYPE**  
ARTICULATED &  
STRAIGHT TROLLEY

**MODEL**  
CRU-R & CRU-S

**CAPACITY**  
0.5 - 1.6 ton

## DOUBLE GIRDER DOUBLE CRAB



**TYPE**  
LOW HEADROOM  
HOIST

**MODEL**  
CLHD

**CAPACITY**

10/ 5 ton	20/5 ton
16/7.5 ton	20/10 ton
16/10 ton	30/15 ton

## SINGLE GIRDER MONORAIL

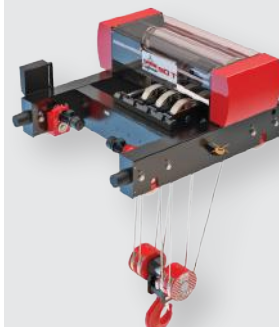


**TYPE**  
LOW HEADROOM HOIST

**MODEL**  
CLH-R(SERIES)

**CAPACITY**  
Upto 15 ton

## DOUBLE GIRDER CRAB

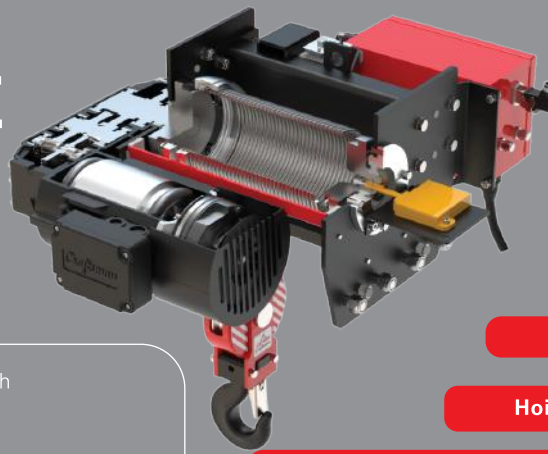


**TYPE**  
HEAVY DUTY HOIST

**MODEL**  
CLHD

**CAPACITY**  
60 -120 ton

# ELECTRIC WIRE ROPE HOIST TECHNOLOGY



## FEATURES

Low Head Room Hoists

High Tensile Imported Wire Rope

Hoisting Speeds Through Drives Only

Inbuilt IoT for Efficient Maintenance to Enhance Productivity

- Design:** Compact and effective hook approach  
**No Counter Weights:** Optimized weight balance  
**Working Group:** Standard with M5 duty  
**Lifting Speed:** Only through drives  
**Flange Width:** Smoothly adjustable

## SAFETY FEATURES

- Rope safety as recommended by FEM Directive
- Over load limit either (mechanical/electrical)
- Double Limit switch for up and down lifting
- Motor overheat protection



### Hoistron

- Hoist Operating Statistics - Cycles / Overloads / Fault Code etc
- Plan for Maintenance schedule with Mail Notification
- eSim Based Product with High Accuracy of data detection



### VARIABLE FREQUENCY DRIVE

- Precise positioning of the loads.
- Minimize the load sway ensuring safe operations.
- Flexibility in variable speeds and acceleration matching to the application.



### WHEEL BLOCK & WHEEL

- Single flanged wheels for monorail hoist and double flange for crab hoist.
- Mechanical wheels made of spheroidal cast material SG- 700/2.
- Ball/Spherical roller/Taper roller bearings are used for high life.



### GEARBOX AND MOTOR

- In-house precision machined aluminum cast body for reduced weight.
- Gears permanently immersed in oil for quick, smooth and cool operation.
- Heavy duty motor incorporated with a brake and cooling fan.
- Provided with a F class rated insulation and IP54 enclosure.
- Thermistors fitted on windings of motor for protection against high temperature.
- IE3 Motors



### ROPE DRUM AND GUIDE

- Seamless rope drum with precisely mechanical rope grooves.
- Rope guide rollers to guide the rope.
- Heavy duty rope guide ensure positive rope scrolling.
- Special spring inside rope guide ensures correct rope tightness.



### ROPE

- High strength wire rope provides high resistance to fatigue and wear.
- Compact strand structure and highly flexible steel core rope for prolonged life.
- Selected according to ISO 4308-1.
- Tensile strength at 2160 N/m .



### HOOK BLOCK

- Ergonomically designed according to DIN 15400.
- Handles are provided for easy handling.
- Hook is provided with safety latch as standard



### THRUST ROCKER

- Used to reduce the self weight of hoist.
- Used to avoid the weight balance plates.
- Pressed against the bottom flange to balance the self weight of hoist.



### ROTARY LIMIT SWITCH EQUIPMENT

- Switch off hoist at limit positions.
- Emergency cut-off in the upper and lower positions.
- Cut-off position can be adjusted to suit the application.
- Provides upper / Lower motion limit switch as standard option



### CROSS TRAVEL-MONORAIL

- Totally mechanical CT-Wheels made of spheroidal cast material SG 700/2
- Travel machinery specially designed for hoisting application.
- Directly drives the travel wheels.
- Heavy duty motor incorporated with a brake and cooling fan.
- Thermistors fitted on windings of motor for protection against high temperature.

## OPTIONAL ACCESSORIES

### ROPE DRUM BRAKE (ONLY FOR SELECTED MODELS)



- MECHANICAL DRUM BRAKE FOR ADDITIONAL SAFETY AGAINST DRIVE FAILURES.
- EASE OF ACCESS AND COMES WITH COVERS KEEPING IT DUST FREE
- FACTORY TESTED AND INSTALLED BRAKE MECHANISM

### RADIO REMOTE CONTROLLER



- THE WIRELESS RADIO REMOTE CONTROL PENDANTS ARE USED IN AREAS WHERE THE OPERATOR CANNOT MOVE ALONG WITH THE CRANE.
- THE RADIO REMOTE PENDANTS ARE AS PER IP 65 CLASS OF PROTECTION.

### ROPE TENSION LOADCELL



- ROPE TENSION LOAD CELL ARE USED TO MEASURE LOAD FORCE AND PROVIDE OVERLOAD PROTECTION.
- PROTECTION CLASS IP 66.
- THE LOAD CELL IS CONVENIENTLY CLAMPED ON THE LIVE ROPE IN EXISTING CONDITION.

**CARL STAHL CRAFTSMAN ENTERPRISES PRIVATE LIMITED.** ✉ [sales@carlstahlcraftsman.com](mailto:sales@carlstahlcraftsman.com)

134/4, Sangothipalayam Road Arasur,  
Coimbatore-641 407,  
Tamil Nadu, India

☎ **Sales contact no:**  
**+91 63844 04095**



[www.carlstahlcraftsman.com](http://www.carlstahlcraftsman.com)

Rev-E November, 2023